



ASSEMBLY INSTRUCTIONS *COASTER FINE FURNITURE*



Fine Furniture for every stage of life

300698F(B1&B2)
Full Bed

ITEM: 300698F(B1&B2)

ASSEMBLY INSTRUCTIONS

ASSEMBLY TIPS:

1. Remove hardware from box and sort by size.
2. Please check to see that all hardware and parts are present prior to start of assembly.
3. Please follow attached instructions in the same sequence as numbered to assure fast & easy assembly.



WARNING!

1. Don't attempt to repair or modify parts that are broken or defective. Please contact the store immediately.
2. This product is for home use only and not intended for commercial establishments.



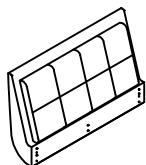
ASSEMBLY TIME

15 MINUTES

PARTS IDENTIFICATION

B1(BOX1)

AV HEADBOARD PANEL



1PC

BV HEADBOARD LEG



2PCS

B2(BOX2)

CV FOOTBOARD LEG



2PCS

DV LEFT BED RAIL



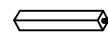
1PC

EV RIGHT BED RAIL



1PC

FV CENTER RAIL SUPPORT WITH LEVELER



2PCS

GV FOOTBOARD PANEL



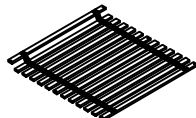
1PC

HV CENTER RAIL



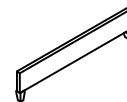
1PC

IV ROLL SLAT
(13PCS)



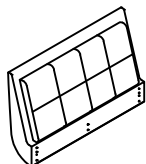
1SET

300698F(B2)
FBV FROM BOX2
FOOTBOARD
COMPLETE



1PC

300698F(B1)
HBV FROM BOX1
HEADBOARD
COMPLETE



1PC

ITEM: 300698F(B1&B2)

ASSEMBLY INSTRUCTIONS

ASSEMBLY TIPS:

1. Remove hardware from box and sort by size.
2. Please check to see that all hardware and parts are present prior to start of assembly.
3. Please follow attached instructions in the same sequence as numbered to assure fast & easy assembly.



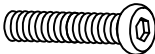



WARNING!



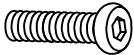







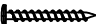
1. Don't attempt to repair or modify parts that are broken or defective. Please contact the store immediately.
2. This product is for home use only and not intended for commercial establishments.

HARDWARE IDENTIFICATION

Z-B1(BOX1)-HARDWARE PACK IS LOCATED IN 300698F(B1)

1	ALLEN WRENCH (5MM-RBW)		1PC	2	FLAT WASHER (Ø 5/16 "-RBW)		2PCS
3	BOLT (Ø 5/16 "X70mm-RBW)		2PCS	4	LOCK WASHER (Ø 5/16 "-RBW)		2PCS

Z-B2(BOX2)-HARDWARE PACK IS LOCATED IN 300698F(B2)

5	ALLEN WRENCH (5MM-RBW)		1PC	6	LONG BOLT (Ø 5/16 "X70mm-RBW)		2PCS
7	SHORT BOLT (Ø 5/16 "X25mm-RBW)		12PCS	8	HEADBOARD CORNER BRACKET -LEFT (150mmX68mmX60mmX2mm-RBW)		1PC
9	HEADBOARD CORNER BRACKET -RIGHT (150mmX68mmX60mmX2mm-RBW)		1PC	10	FLAT WASHER (Ø 5/16 "-RBW)		22PCS
11	LOCK WASHER (Ø 5/16 "-RBW)		22PCS	12	THREADED BOLT (Ø 5/16 "X90mm-RBW)		8PCS
13	WRENCH (14MM-RBW)		1PC	14	HEX NUT (16mmx13mmx13-RBW)		8PCS
15	FLAT HEAD SCREW (m4x30mm-RBW)		9PCS				

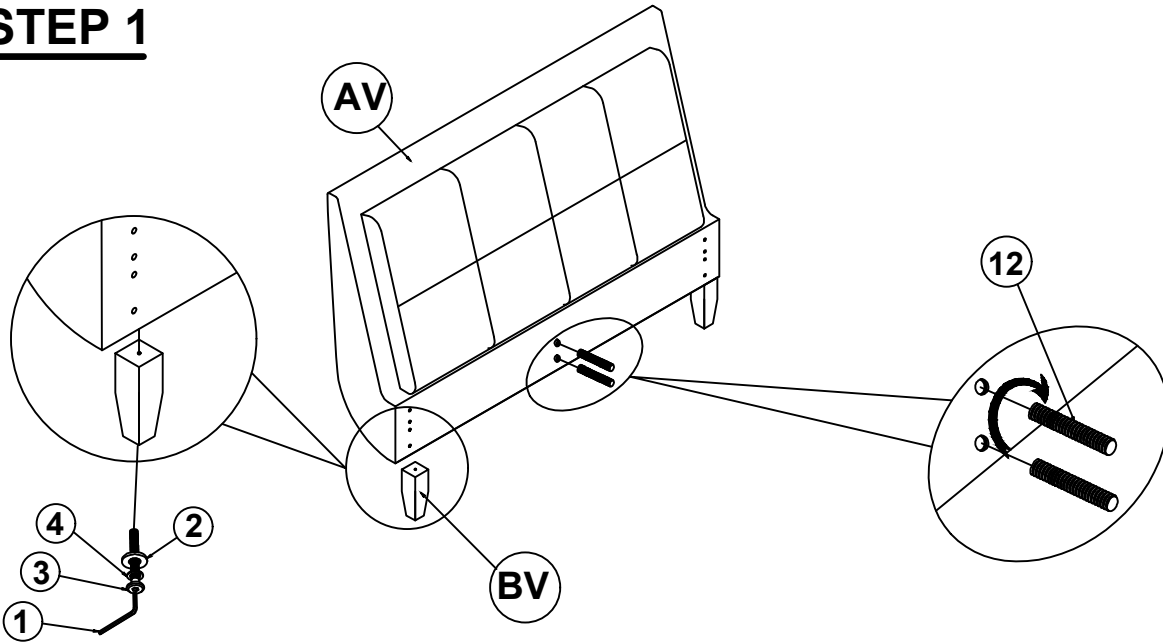
NOTE:

Phillips head screw driver is required in the assembly process; however, manufacturer does not provide this item.

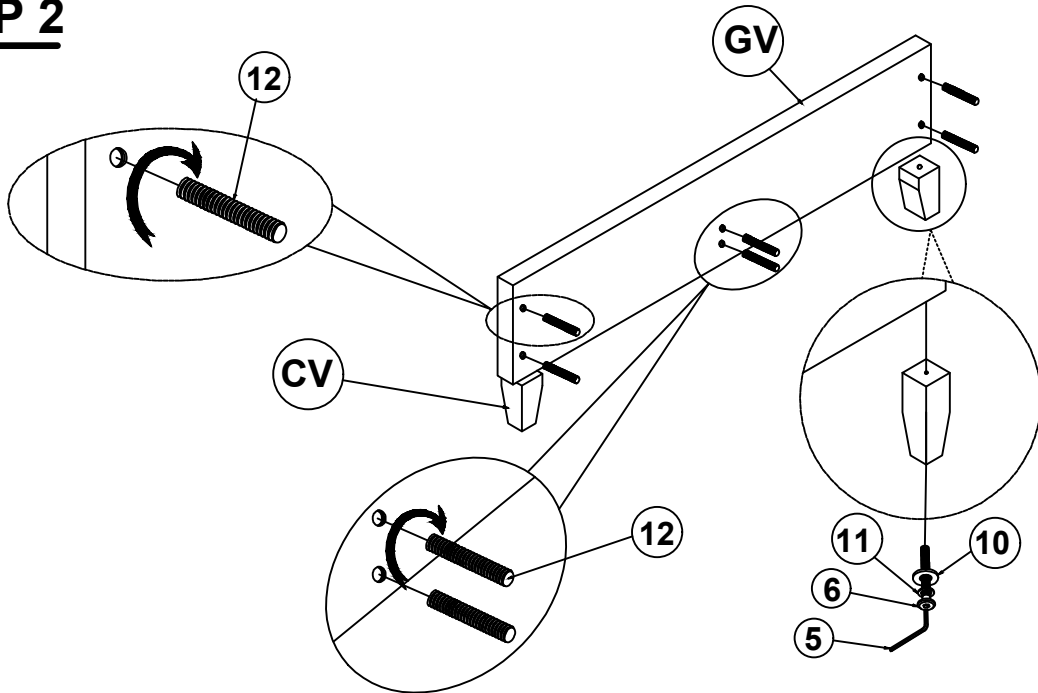
ITEM: 300698F(B1&B2)

ASSEMBLY INSTRUCTIONS

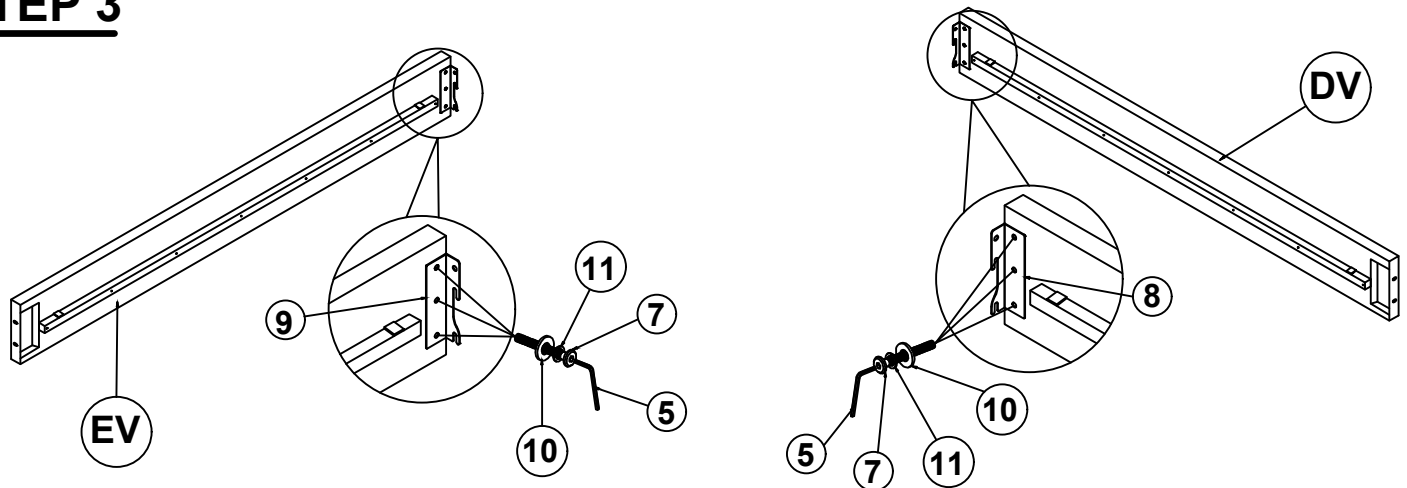
STEP 1



STEP 2



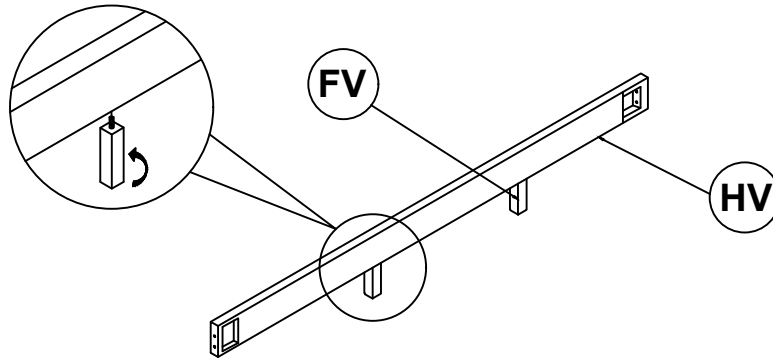
STEP 3



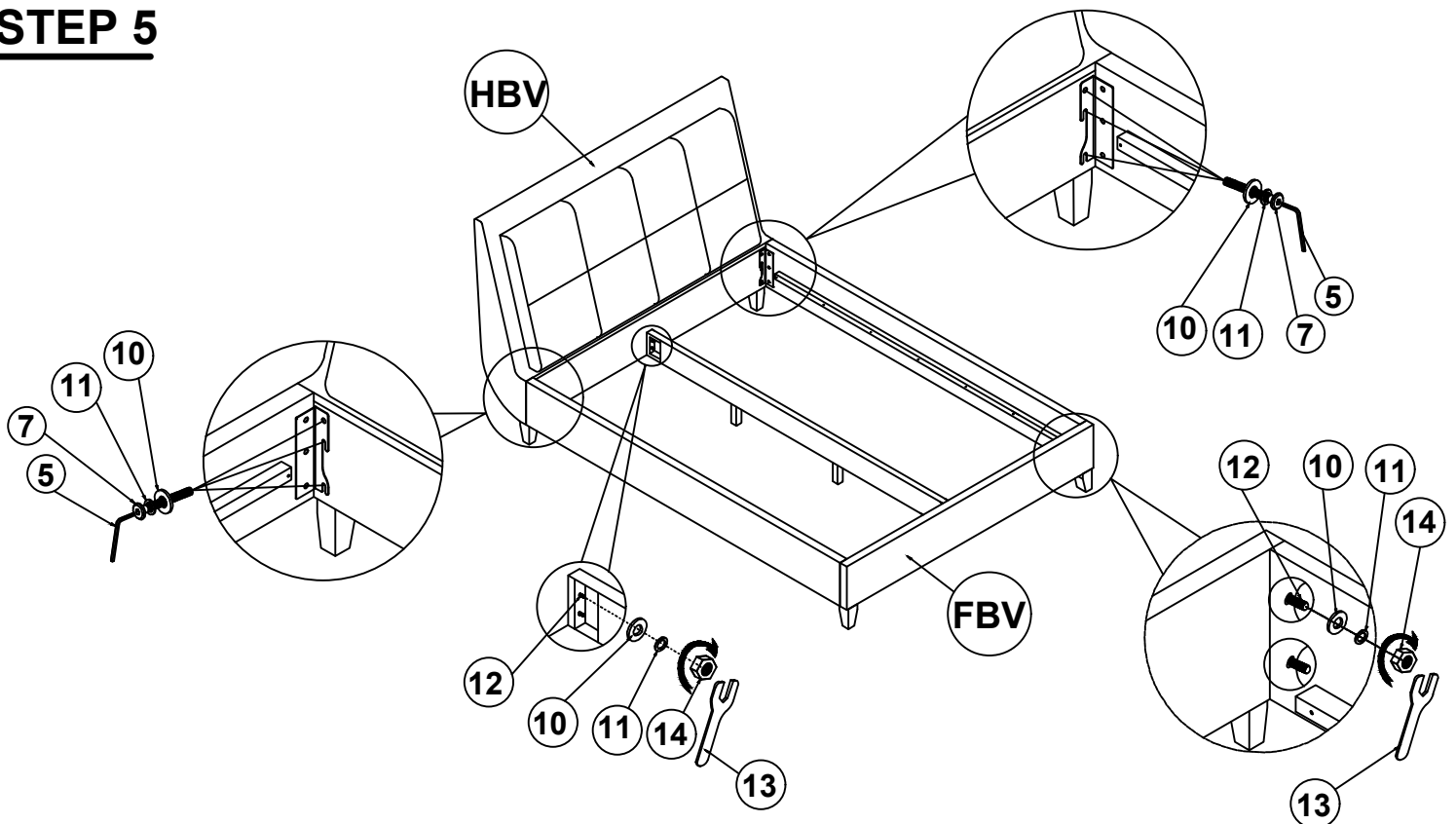
ITEM: 300698F(B1&B2)

ASSEMBLY INSTRUCTIONS

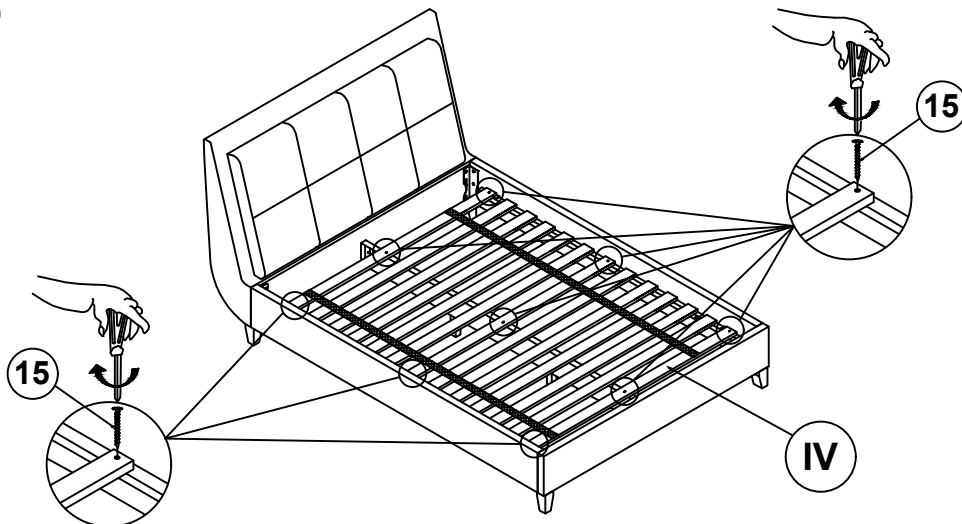
STEP 4



STEP 5



STEP 6



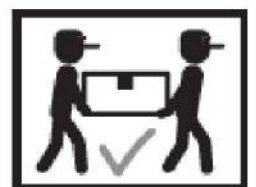
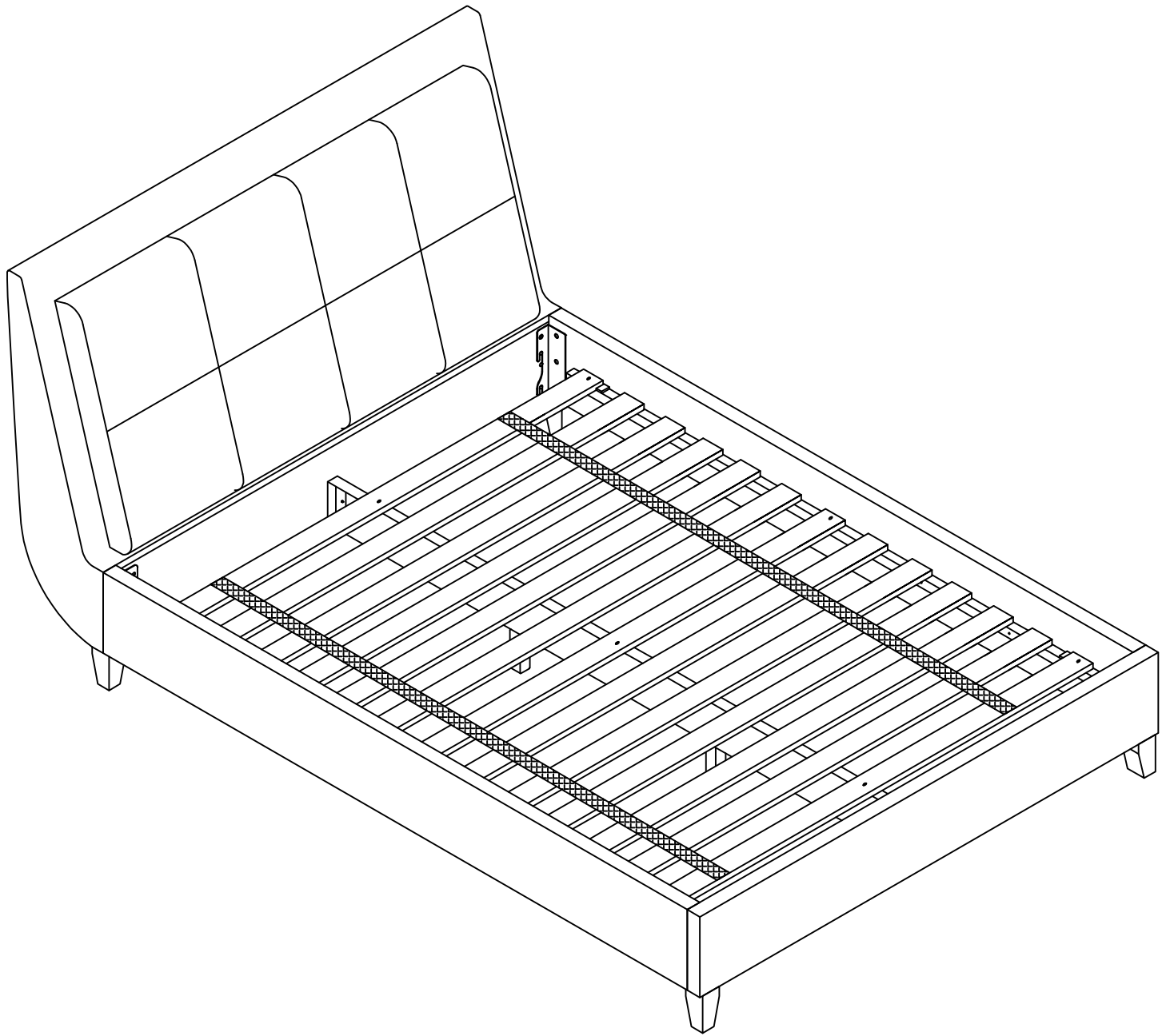
ITEM: **300698F(B1&B2)**

ASSEMBLY INSTRUCTIONS

STEP 4

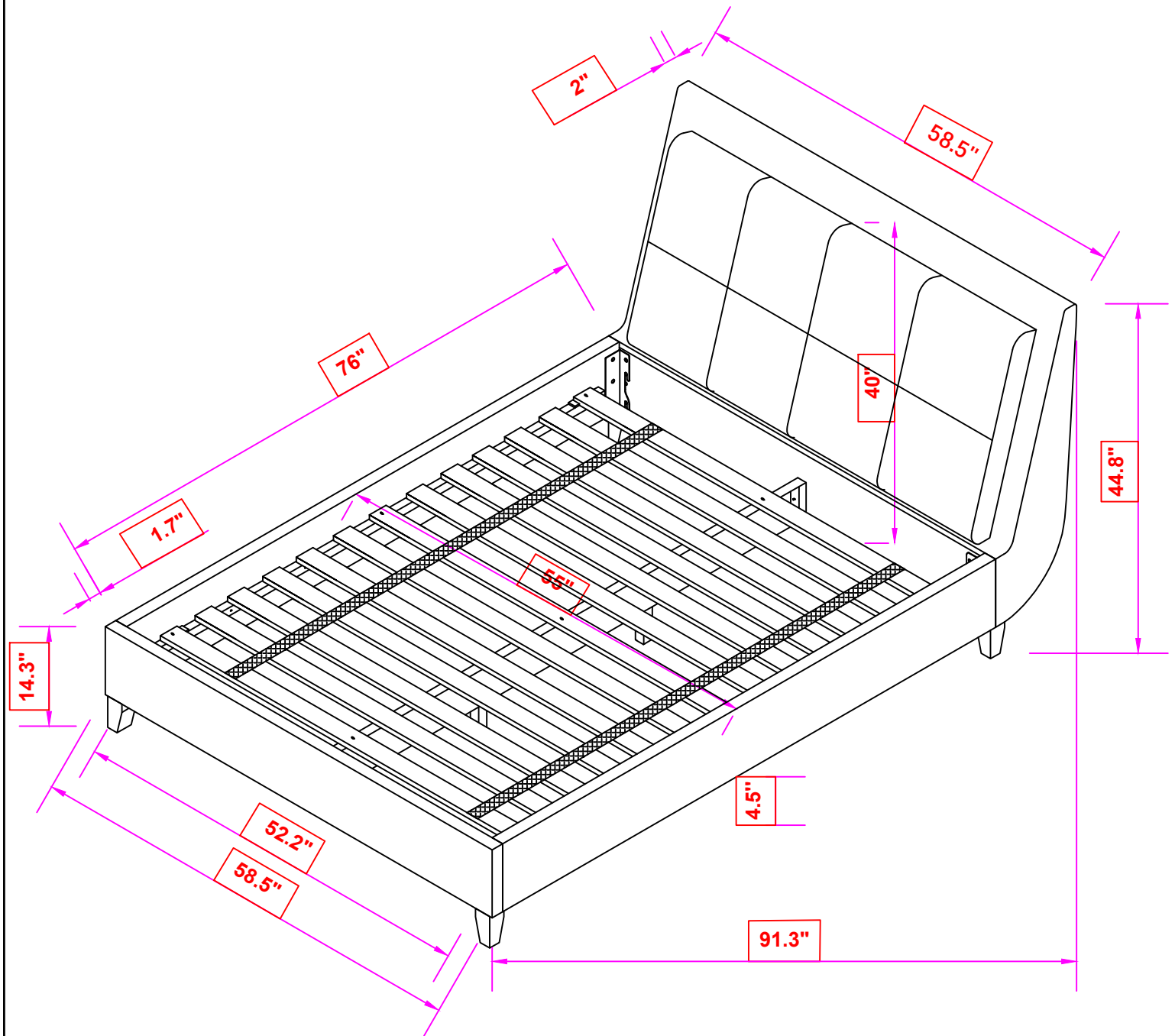
COMPLETE

COASTER®
FINE FURNITURE



ITEM: 300698F(B1&B2)

INNER SIZE: 76"X55"



NOTE: Dimension tolerance $\pm 5\%$