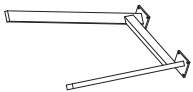
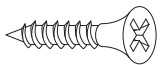
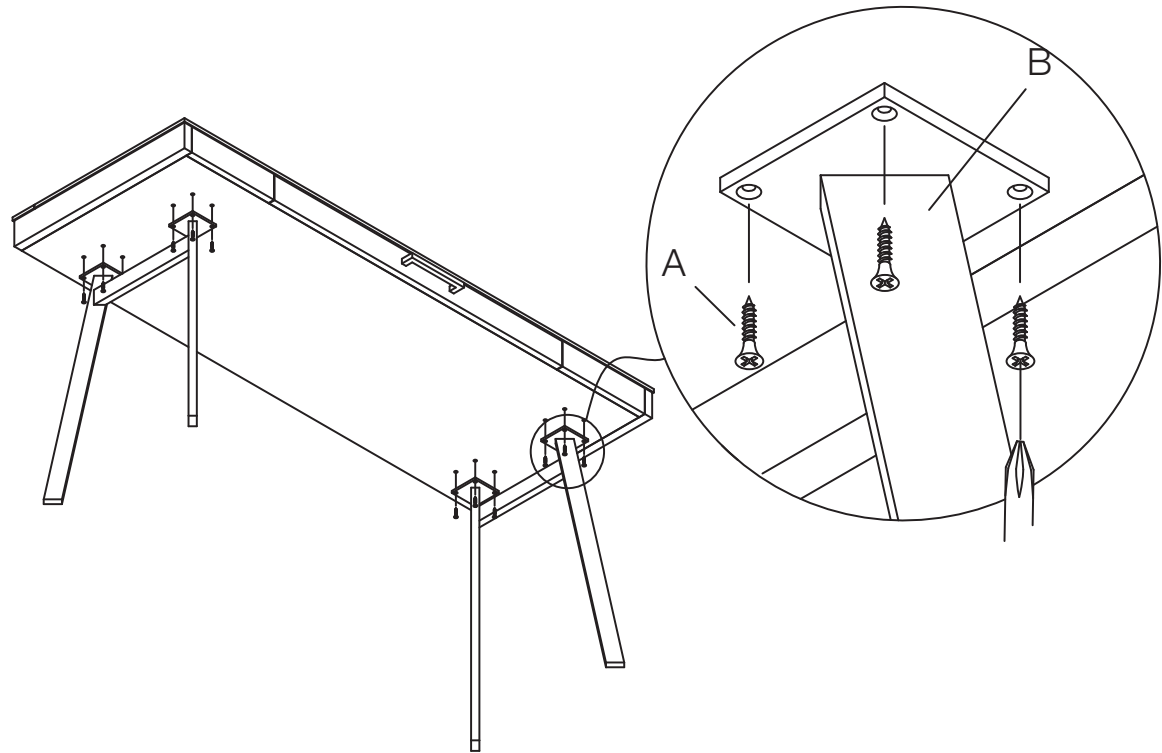


## Assembly Instructions HART Desk

PLEASE NOTE: Check that you have received all components and hardware before assembling. If you are missing any parts, contact your retailer

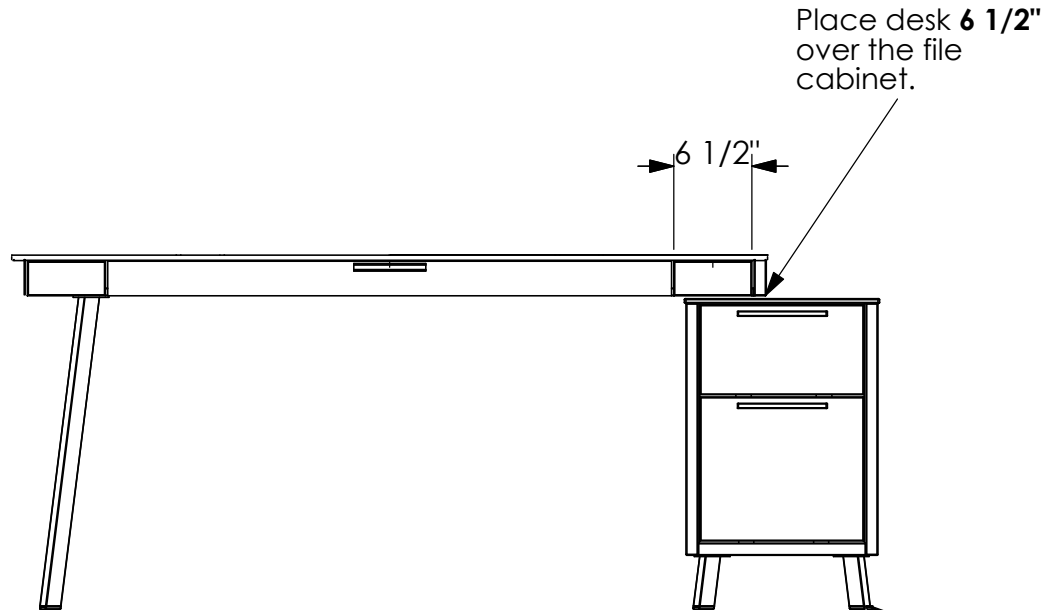


A (16 pcs)    B (2 pcs)  
M4 x 25mm

During assembly, hand tighten screws only. When the screws are in place, tighten completely.

PLEASE NOTE: Check that you have received all components and hardware before assembling. If you are missing any parts, contact your retailer

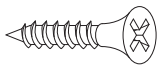
**Optional instructions** on how to install the desk onto the Hart 2 Drawer File Cabinet (sold separately):



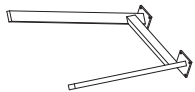
This feature will work on both sides (right or left) as long as the legs are installed on the opposite side.

File cabinet must be installed with the **4 legs** included.

Important: This feature will not work with the casters setup.



A (16 pcs)  
M4 x 25mm



B (2 pcs)

During assembly, hand tighten screws only. When the screws are in place, tighten completely.