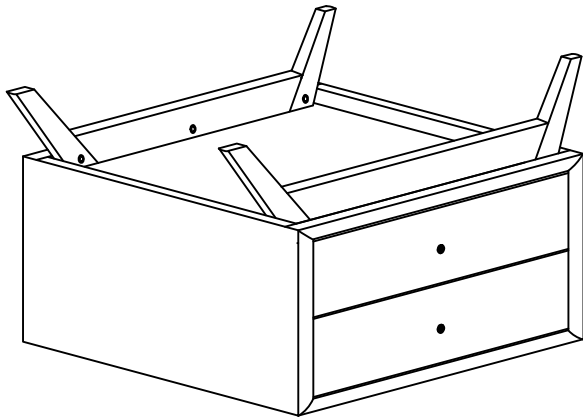






MOD-5240

Thank you for purchasing the **MODWAY NIGHTSTAND** !
Before you start, here is some helpful advice:

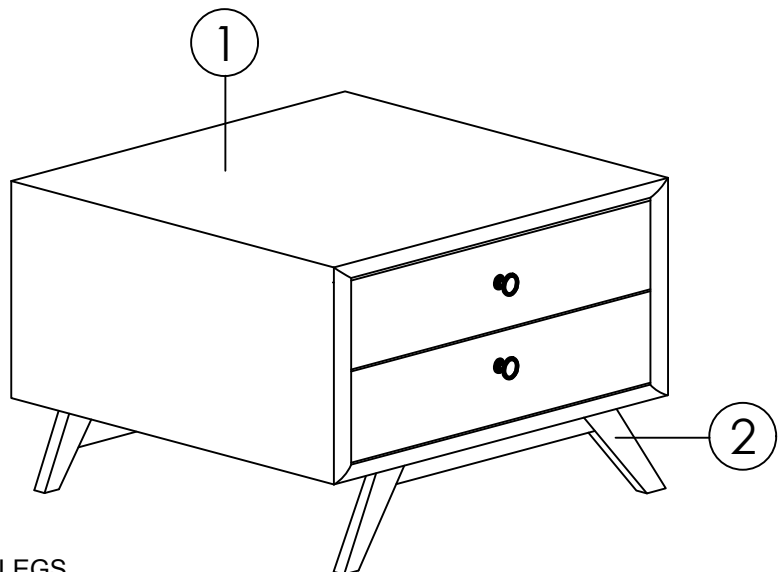
1. We suggest you spend a short time reading through this leaflet and then follow the simple step-by-step instructions.
2. Owing to the size and weight of the nightstand, we recommend that it is assembled by two adults, on a carpeted or padded area, in the room that it is intended for. Approximate assembly time :30 minutes.
3. Please do not use any tools other than those provided or recommended in these instructions.
4. Please do not throw away any of the packaging or the instruction until you have checked all the components and hardware and the furniture is fully assembled. Please ensure that the packaging is disposed of in a safe and environmentally friendly way.
5. Assemble all components loosely until advised to tighten. Depending on use, it may be necessary to tighten the components from time to time, so please save the tools that has been provided.
6. Please keep all fitting out of reach of children.



Hardware for Nightstand

A		JCBC SCREW M6 X 30MM	x6
B		SPRING WASHER 1/4"	x6
C		M4 ALLEN KEY (BALL SHAPE)LONG	x1
D		FELT PROTECTOR	x4

Component :



1- NIGHTSTAND

2- NIGHTSTAND LEGS