

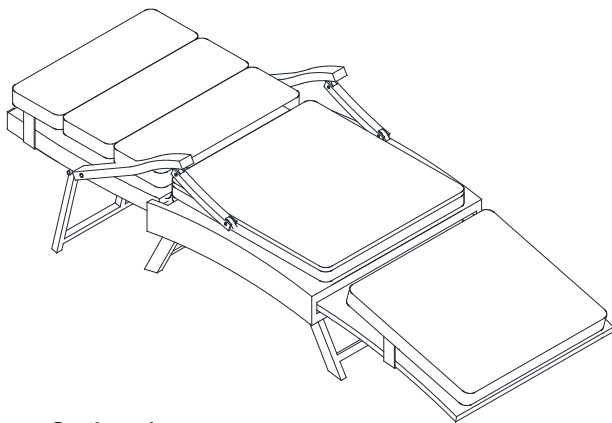
EEI-2301 Reclining Chair



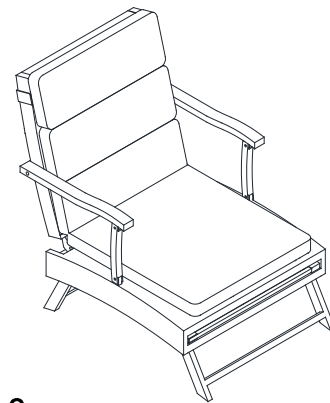
Thank you for purchasing the **MODWAY RECLINING CHAIR**.

Before you start, here are some helpful advice:

1. We suggest you spend a short time reading through this leaflet and then follow the simple step-by-step instructions.
2. Owing to the size and weight of the reclining chair, we recommend that it is assembled by two adults, on a carpeted or padded area, in the room that it is intended for. Approximate assembly time: 15 minutes.
3. Please do not use any tools other than those provided or recommended in these instructions.
4. Please do not throw away any of the packaging or the instruction until you have checked all the components and hardware and the furniture is fully assembled. Please ensure that the packaging is disposed of in a safe and environmentally friendly way.
5. Assemble all components loosely until advised to tighten. Depending on use, it may be necessary to tighten the components from time to time, so please save the tools that have been provided.
6. Please keep all fitting out of reach of children.

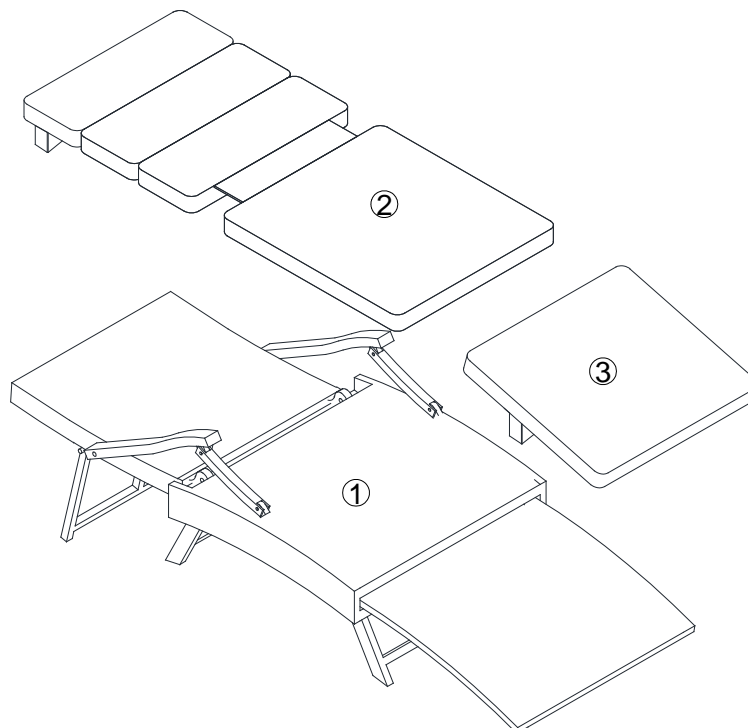


Option 1



Option 2

Component:



1 Reclining Chair Body x1

2 Seat with Back Cushion x1

3 Footrest Cushion x1

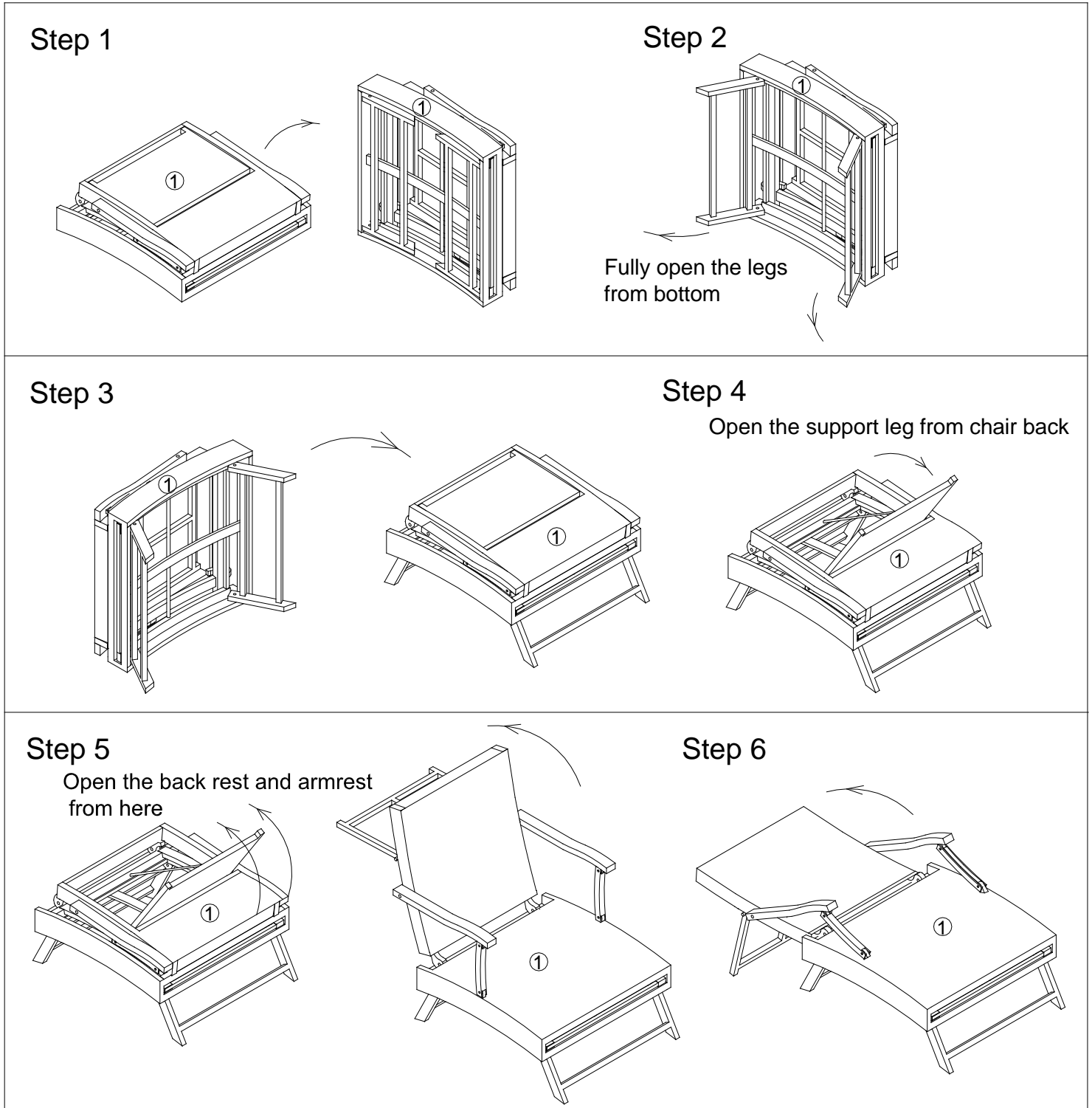
EEI-2301 Reclining Chair



Option 1:

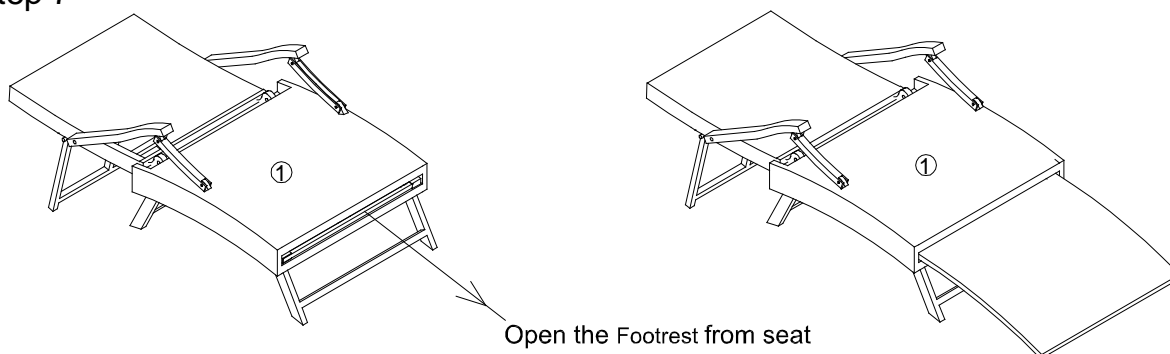
Please take out **Reclining Chair Body (1)** and **Seat with Back Cushion (2)** and **Footrest Cushion (3)** from the packing box. Please put them on a carpeted or padded surface.

Then follow the steps below to complete the unfolding of the reclining chair as shown.



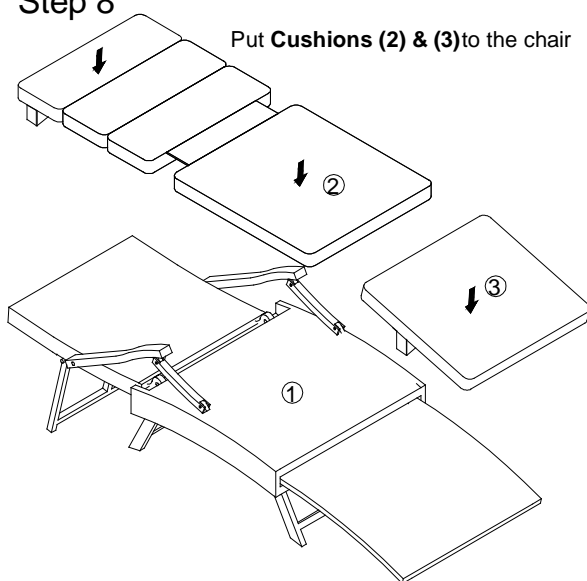
Warning: do not place your hands or other objects on the joints when the back of the chair is open to prevent damage.

Step 7



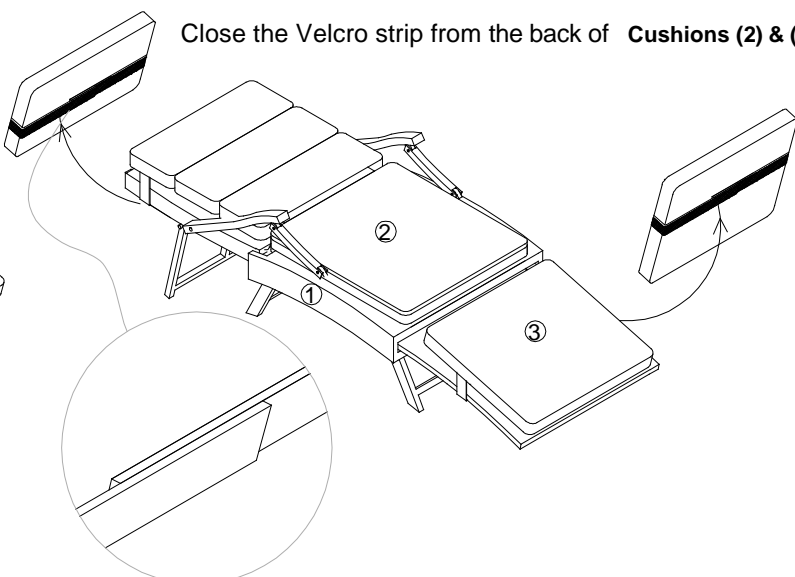
Step 8

Put Cushions (2) & (3) to the chair



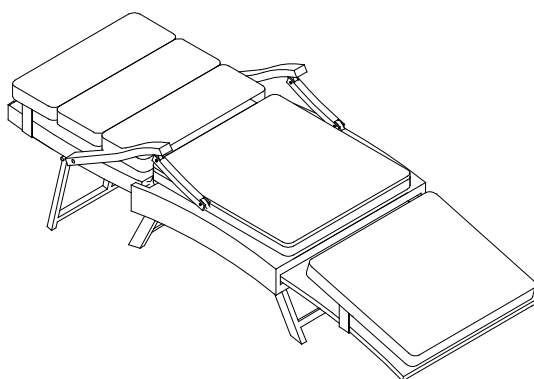
Step 9

Close the Velcro strip from the back of Cushions (2) & (3)



Step 10

Option 1 is complete.
Your chair is ready to be used now!
NOTE: Don't sit at the top of back cushion.

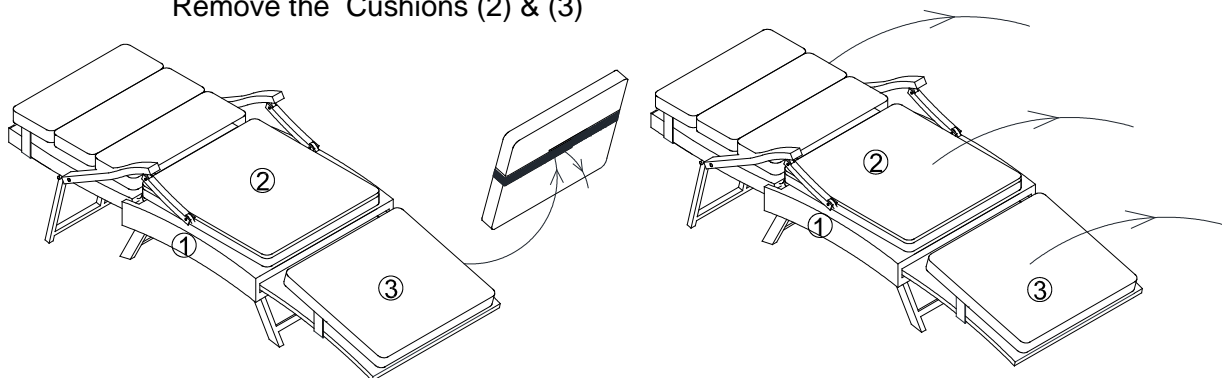


Option 2:

And also you can change it to another way of using it, then follow the steps below to complete the folding of the reclining chair as shown.

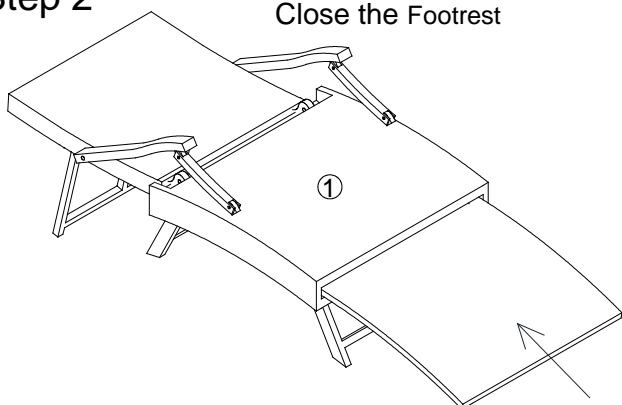
Step 1

Remove the Cushions (2) & (3)



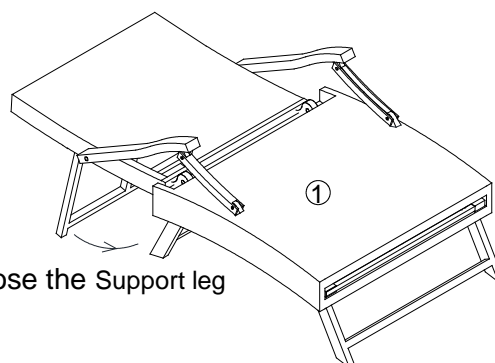
Step 2

Close the Footrest

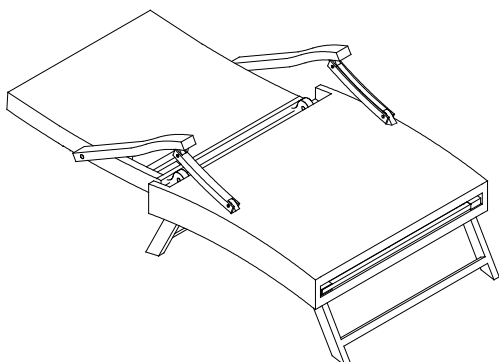


Step 3

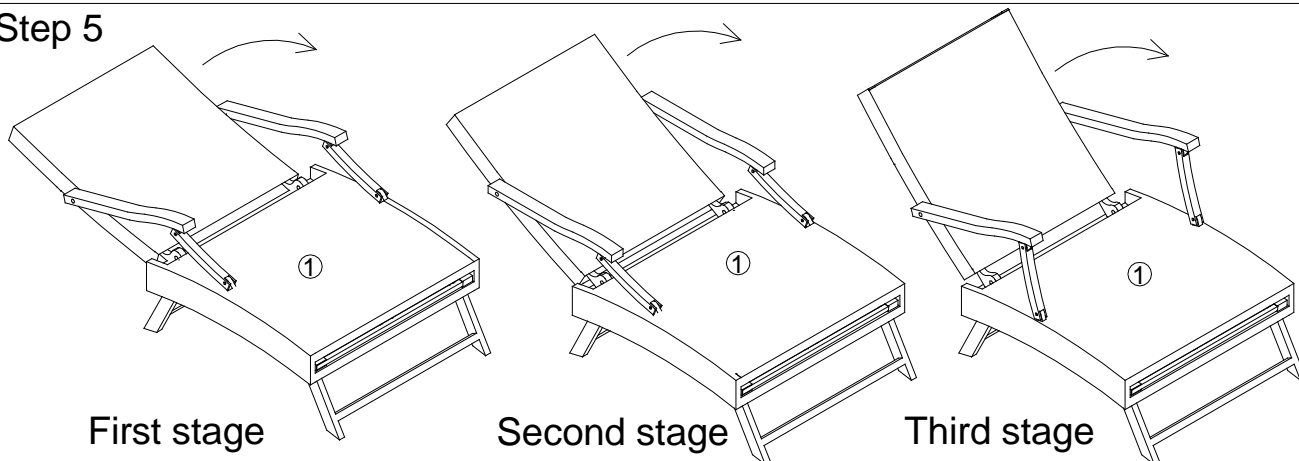
Close the Support leg



Step 4

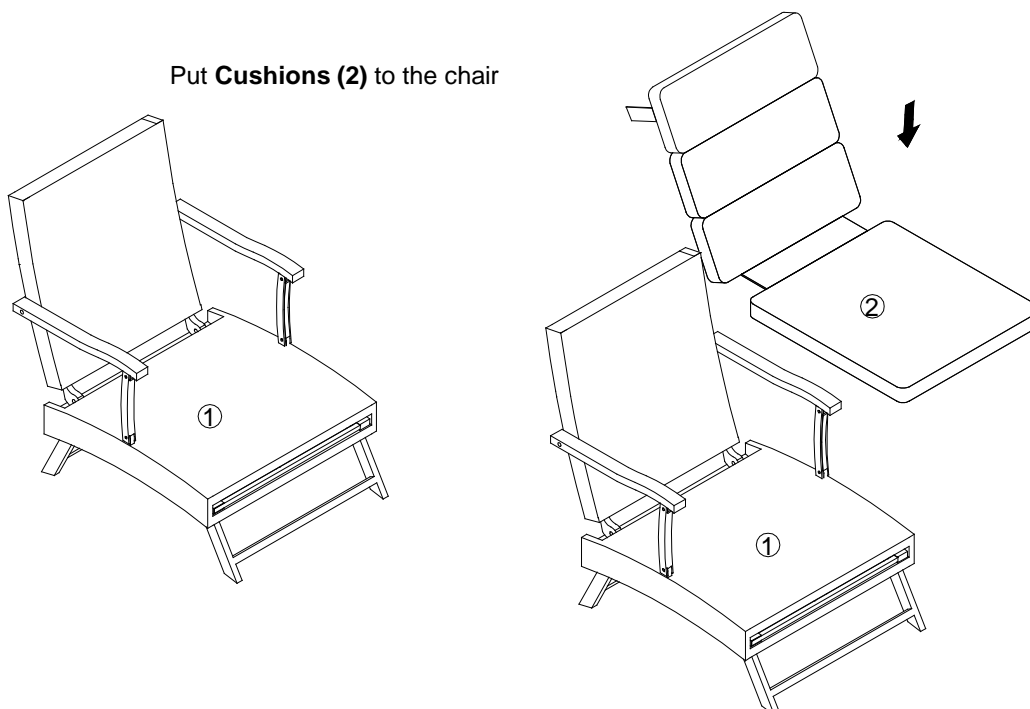


Step 5



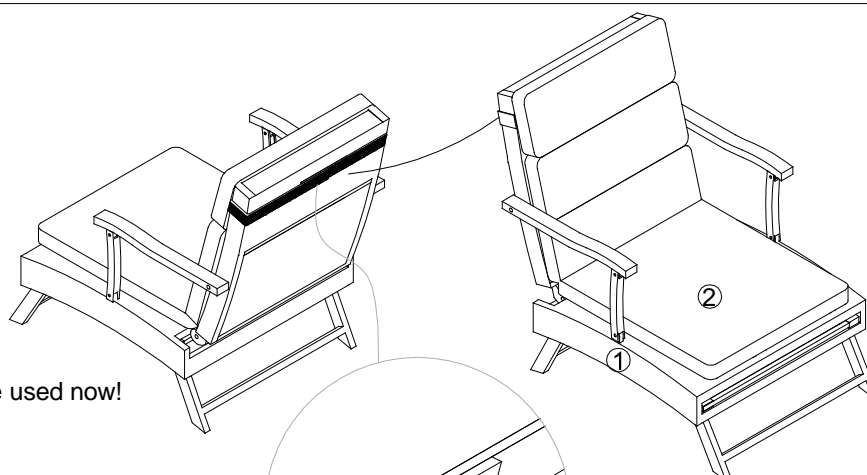
Step 6

Put **Cushions (2)** to the chair



Step 7

Option 2 is complete.
Your chair is ready to be used now!



Close the Velcro strip from
the back of **Cushions (2)**