

# ASSEMBLY INSTRUCTIONS

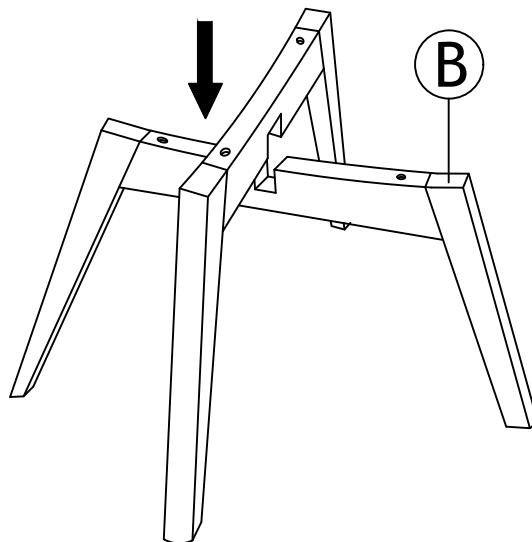
Read this instruction carefully. Refer hardware and furniture parts list for guidance. Be sure all parts are complete, before assembling. Place all wooden furniture part on a clean and flat soft surface to prevent scratches. Refer steps provided as assembling guide.

PART LIST			HARDWARE LIST		
ITEM	DESCRIPTION	QTY	ITEM	DESCRIPTION	QTY
A	NIGHT STAND	1 PC	1	JCBC SCREW M6 x 40MM	4 PCS
B	LEG	2 PCS	2	SPRING WASHER 1/4"	4 PCS
			3	M4 ALLEN KEY (BALL SHAPE) LONG	1 PC

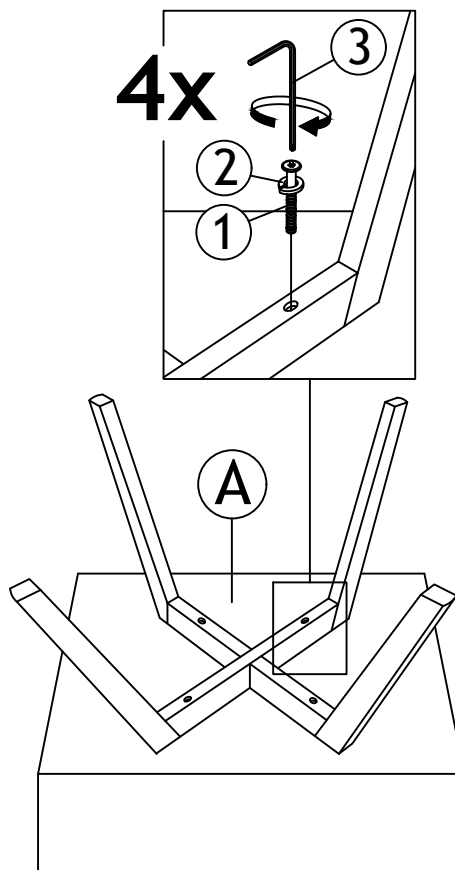
## CAUTIONS :

1. Do not **FULLY-TIGHTEN** the nuts or nut bolts until all are in place.
2. To prevent thread damage. Ensure that nuts or nut bolts are not over-tighten.
3. Hardware are to be kept out of reach from children.

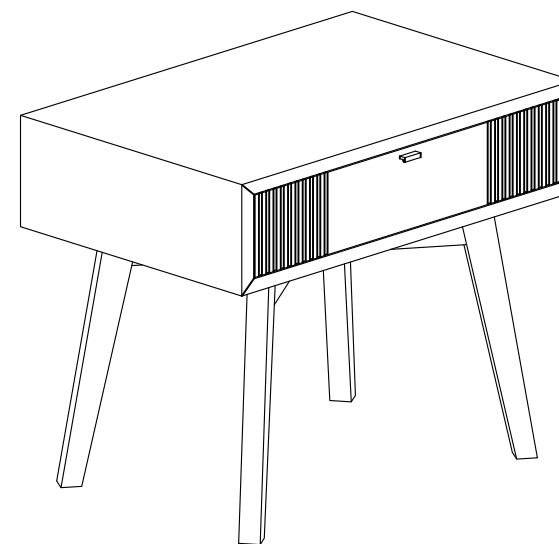
## STEP 1



## STEP 2



## STEP 3



**ASSEMBLY COMPLETED**