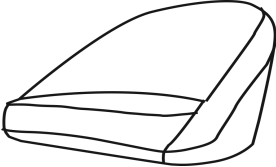
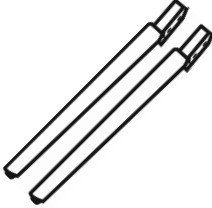




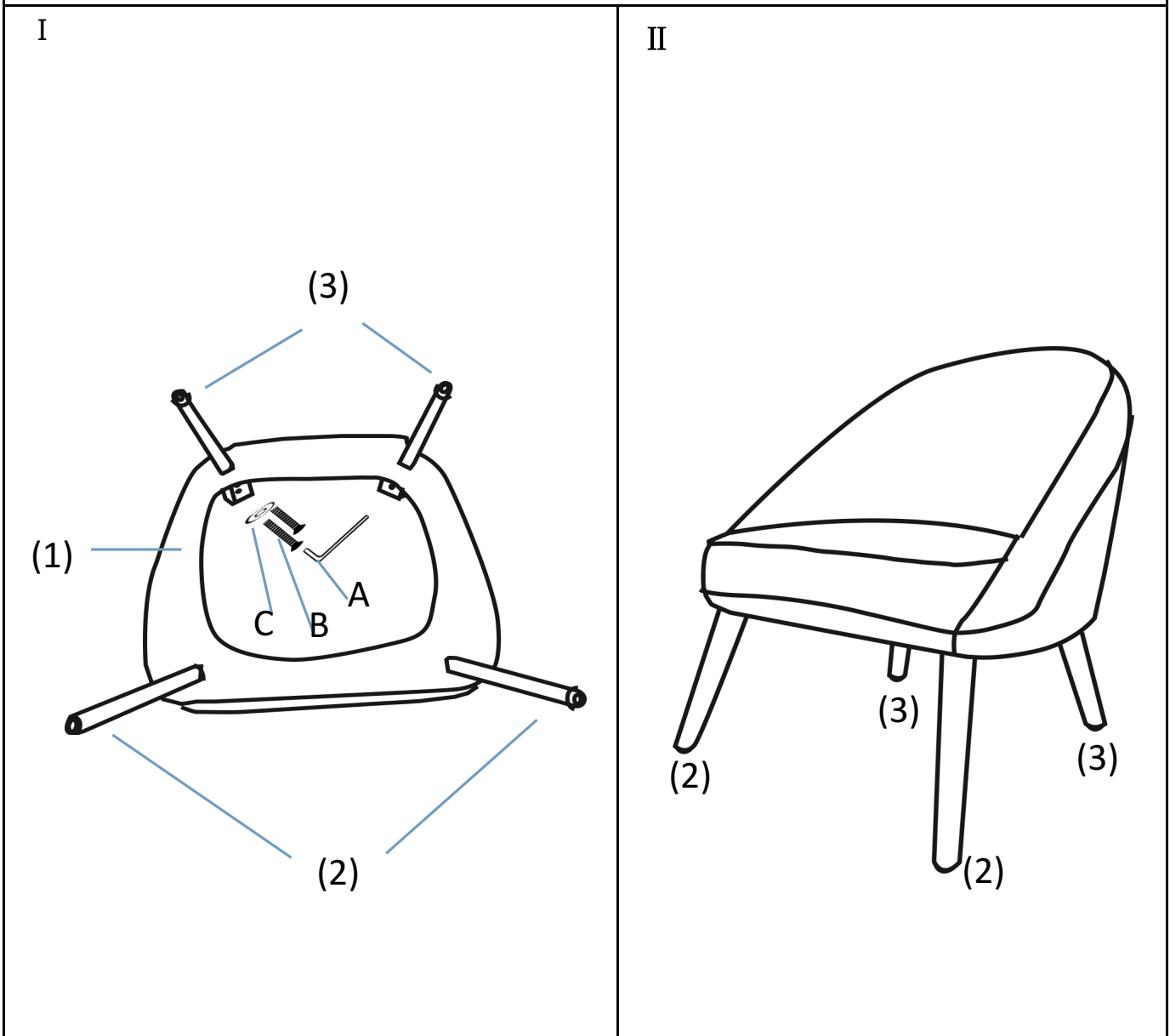


ITEM NAME/NOM D' ITEM: CARTER OCCASIONAL CHAIR LI. GREY/CO. BLUE
ITEM#/NO.ITEM: 100728/100729

PARTS LIST / LISTE DES PIÈCES

(1)	(2)	(3)	(4)
	 x 2	 x 2	A.  X 1
			B.  X 8
			C.  X 8

ASSEMBLY INSTRUCTIONS/INSTRUCTIONS D'ASSEMBLAGE



For missing parts or damaged parts, please call
 USA : 1-866-798-6663
 Canada : 514-382-6661