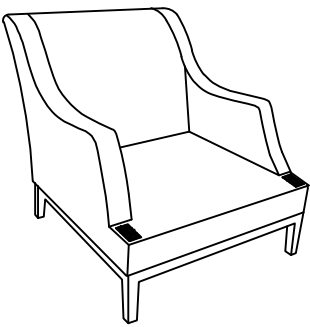
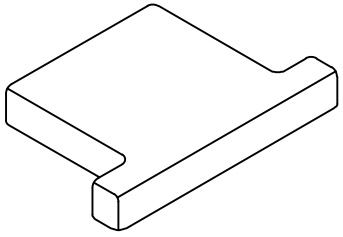
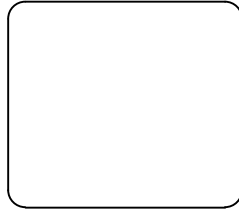
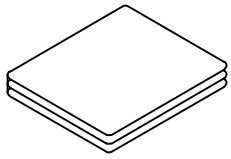


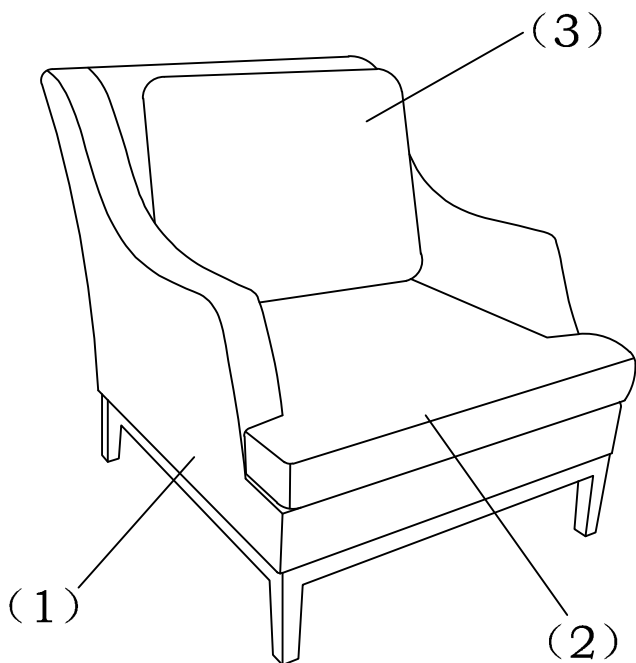
ITEM NAME/ NOM D' ITEM: OJAI ARM CHAIR
ITEM #/NO.ITEM: 100788

PARTS LIST/LISTE DES PIÈCES

(1)	(2)	(3)	(4)
 <p style="text-align: center;">x1</p>	 <p style="text-align: center;">x1</p>	 <p style="text-align: center;">x1</p>	 <p style="text-align: center;">cover</p> <p style="text-align: center;">x1</p>

ASSEMBLY INSTRUCTIONS/INSTRUCTIONS D'ASSEMBLAGE

No assembly required



Cover for storage use

