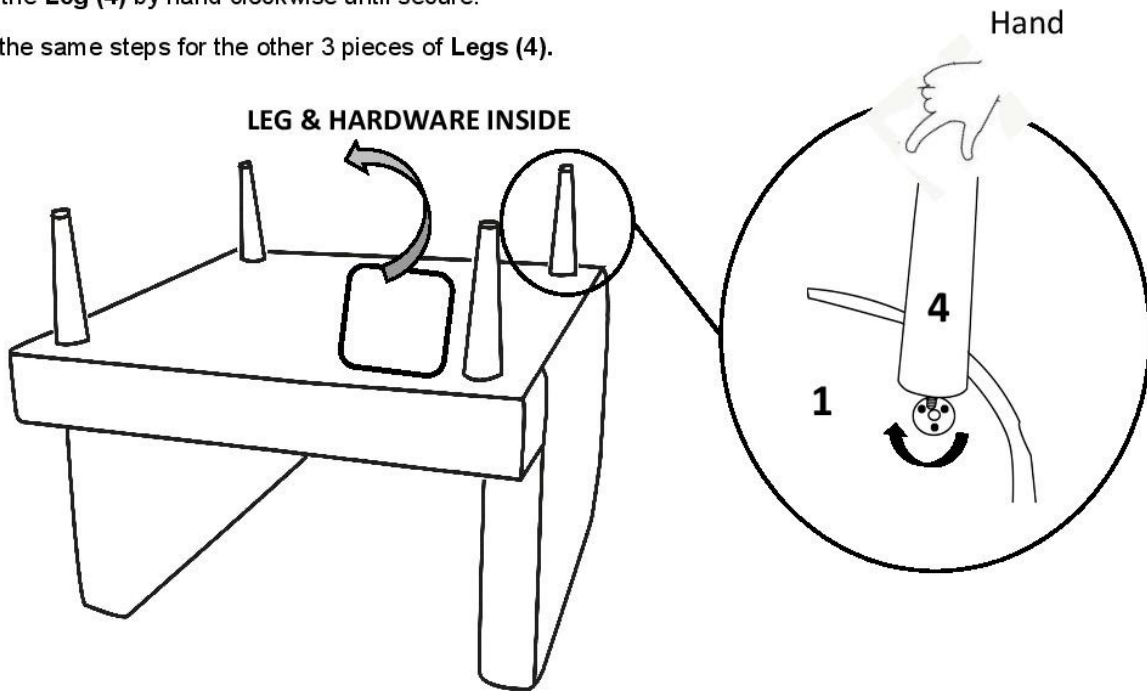


---

**STEP 1:**

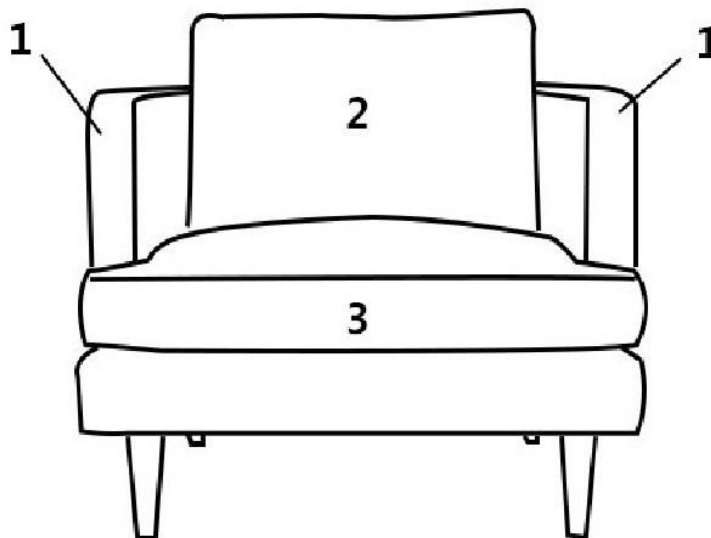
Please turn over the **Chair Body (1)** on its side on a carpeted or padded area by two adults to make the bottom fully accessible.  
Please find the package of **Legs (4)** on the bottom of **Chair Body (1)**. Take out the 4 pieces of **Legs (4)** from the package.  
Insert 1 piece of **Leg (4)** into the hole on the round metal plate at the corner of the **Chair Body (1)** as shown.  
Tighten the **Leg (4)** by hand clockwise until secure.  
Repeat the same steps for the other 3 pieces of **Legs (4)**.



---

**STEP 2:**

Carefully turn over the **Chair body (1)** and put on the **Seat Cushion (3)** and **Back Cushion (2)** as shown.



Assembly is complete. The chair is ready to enjoy now!

---