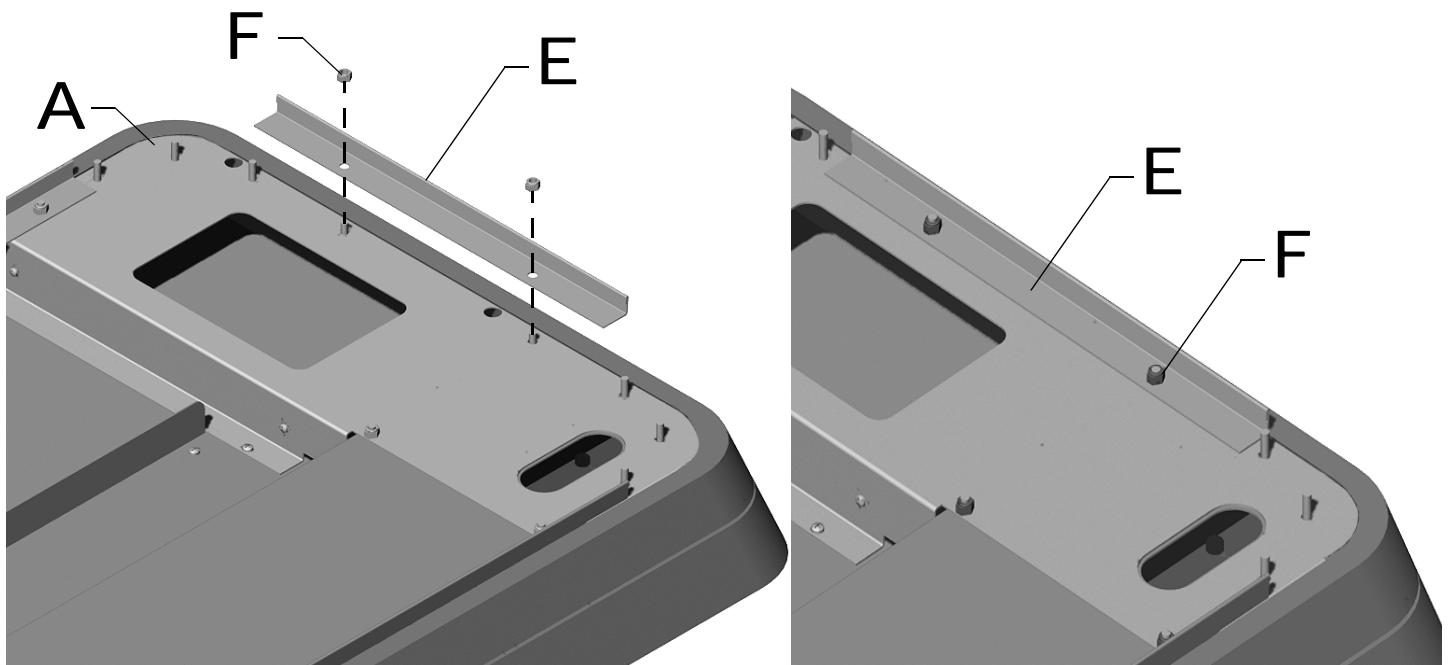
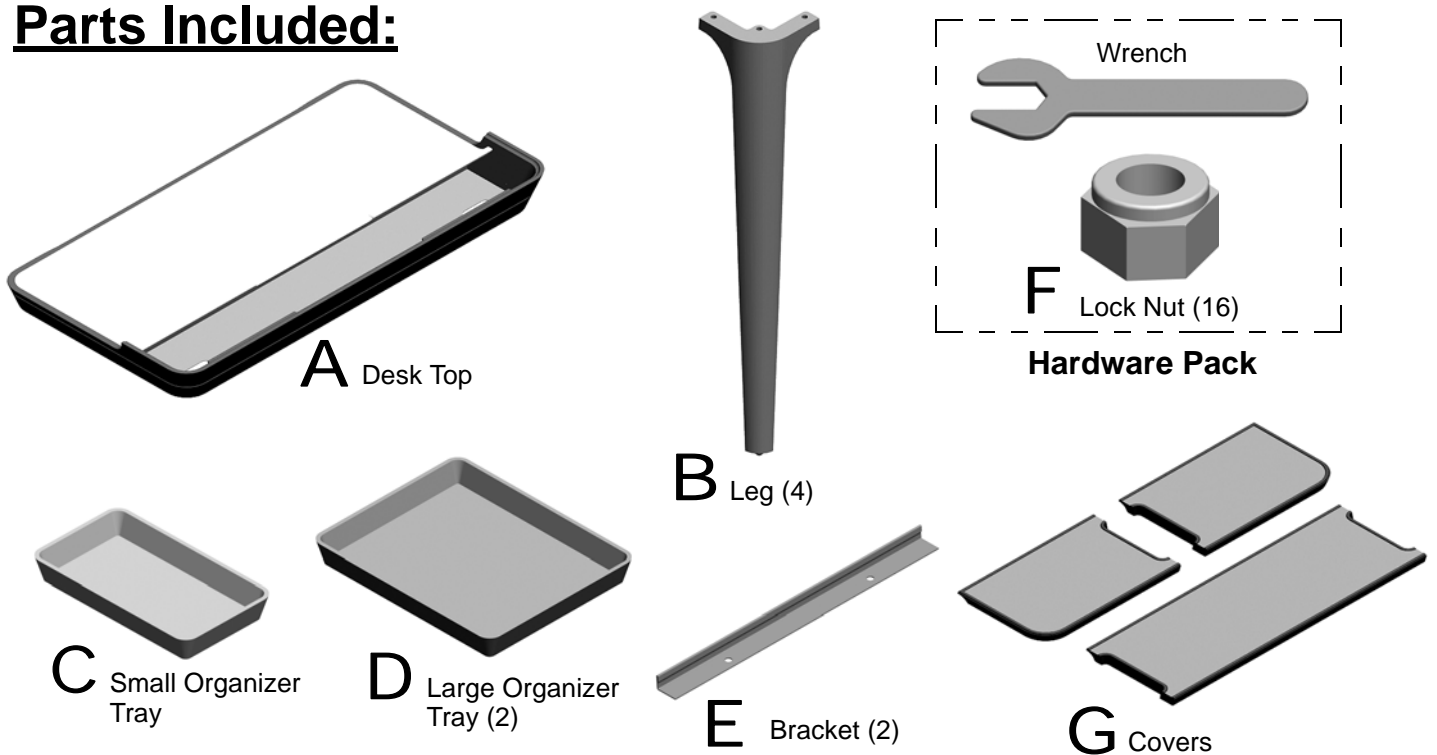


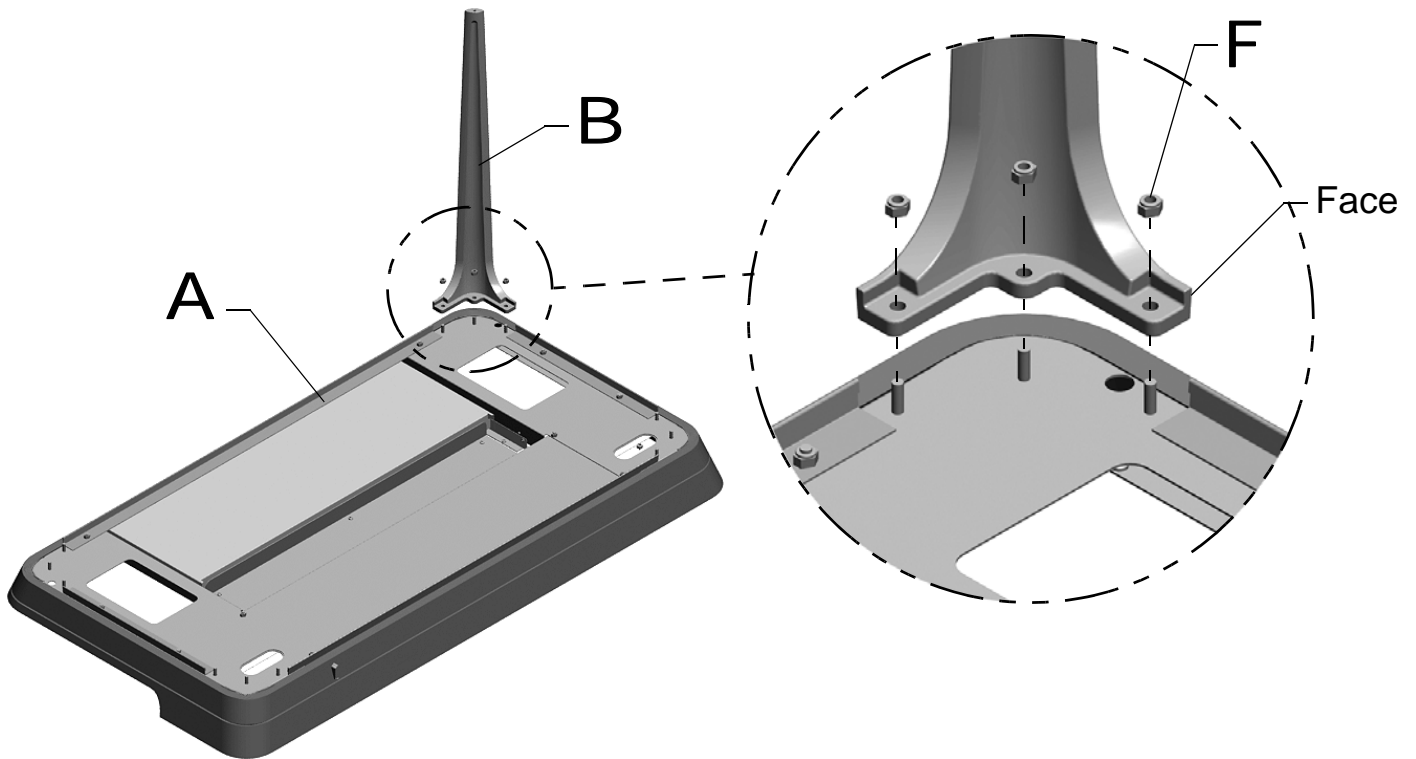
# Lifework™ Portfolio Airia™ Desk Installation

## Parts Included:



1. Position Top (A) upside down on a clean soft surface. Install Bracket (E) over 2 bolts on edge of Top as shown. Loosely attach with two Nuts (F). **Do not tighten until Step 2.** Repeat for remaining bracket on opposite edge.

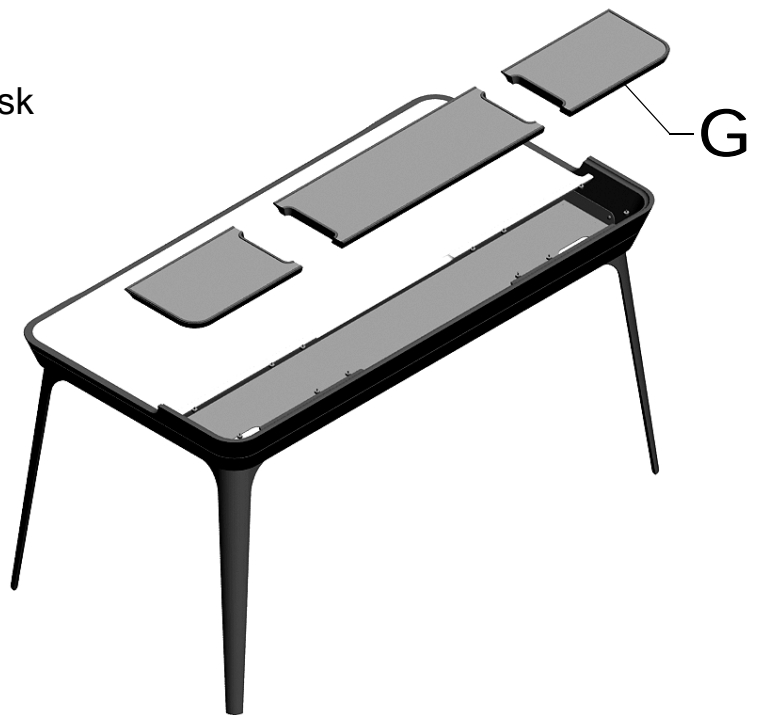
1B4BLK REV A



2. Install Leg (B) by placing over three bolts in corner of Top (A). Align the face of the leg with the outer edge of the desk. Loosely attach with three Nuts (F). Repeat for remaining legs. Tighten **all** nuts on **all** legs and brackets using wrench provided.

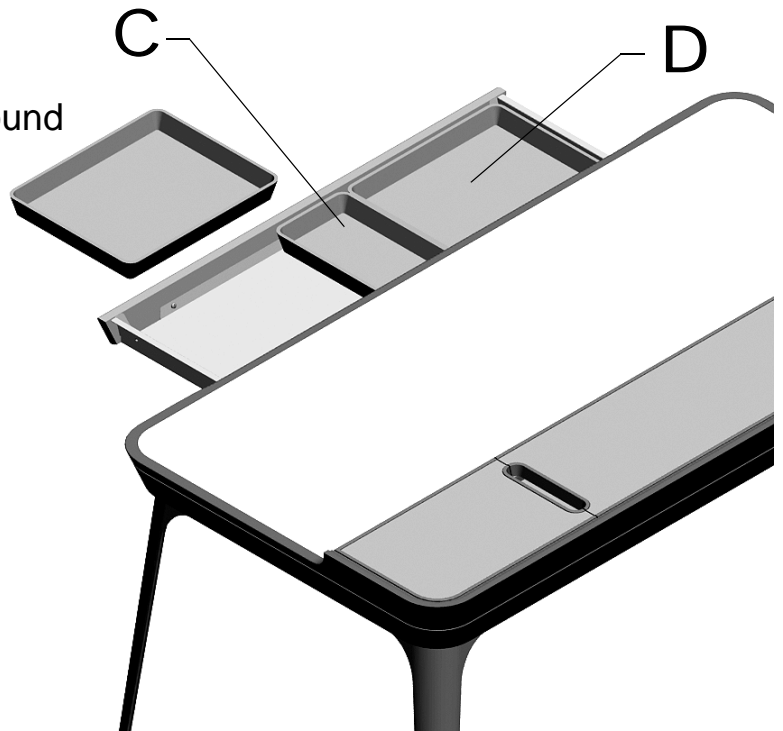
3. With help from an assistant, turn Desk right side up.

4. Place Covers (G) onto top of Desk.

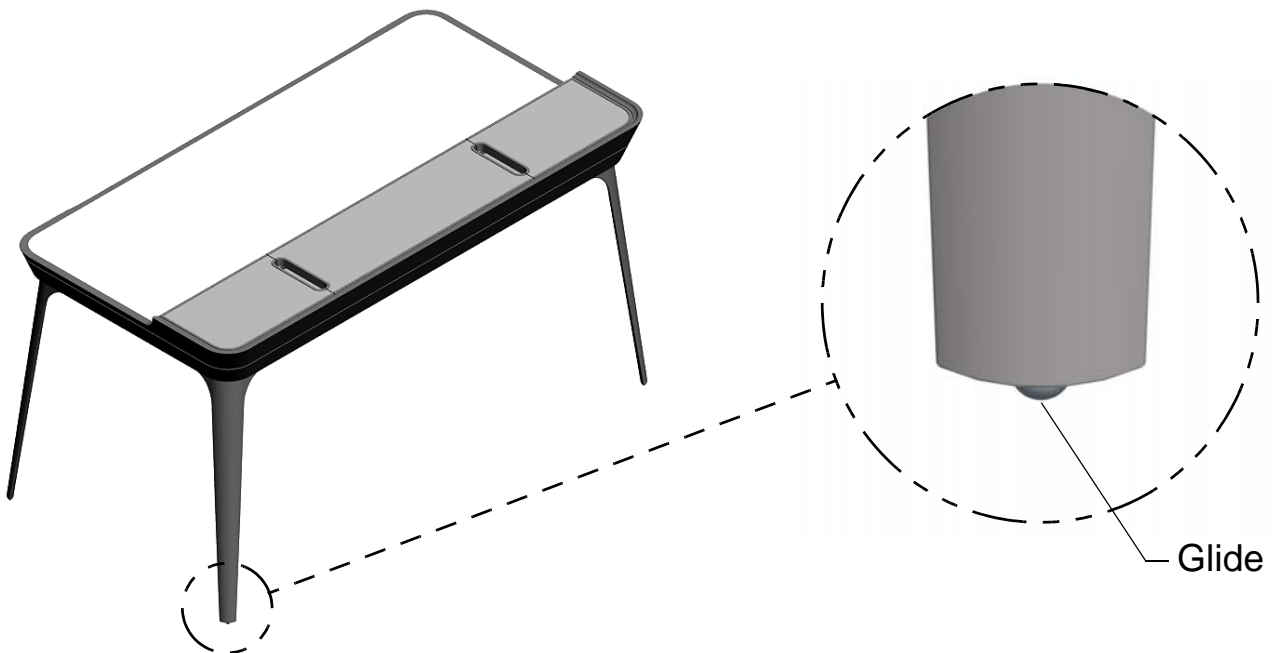


1B4BLK REV A

- 
5. Remove any existing packaging around Drawer.
  6. Open Drawer and place Organizer Trays (C) & (D) inside.



7. Adjust Leveling Glides by rotating.



1B4BLK REV A